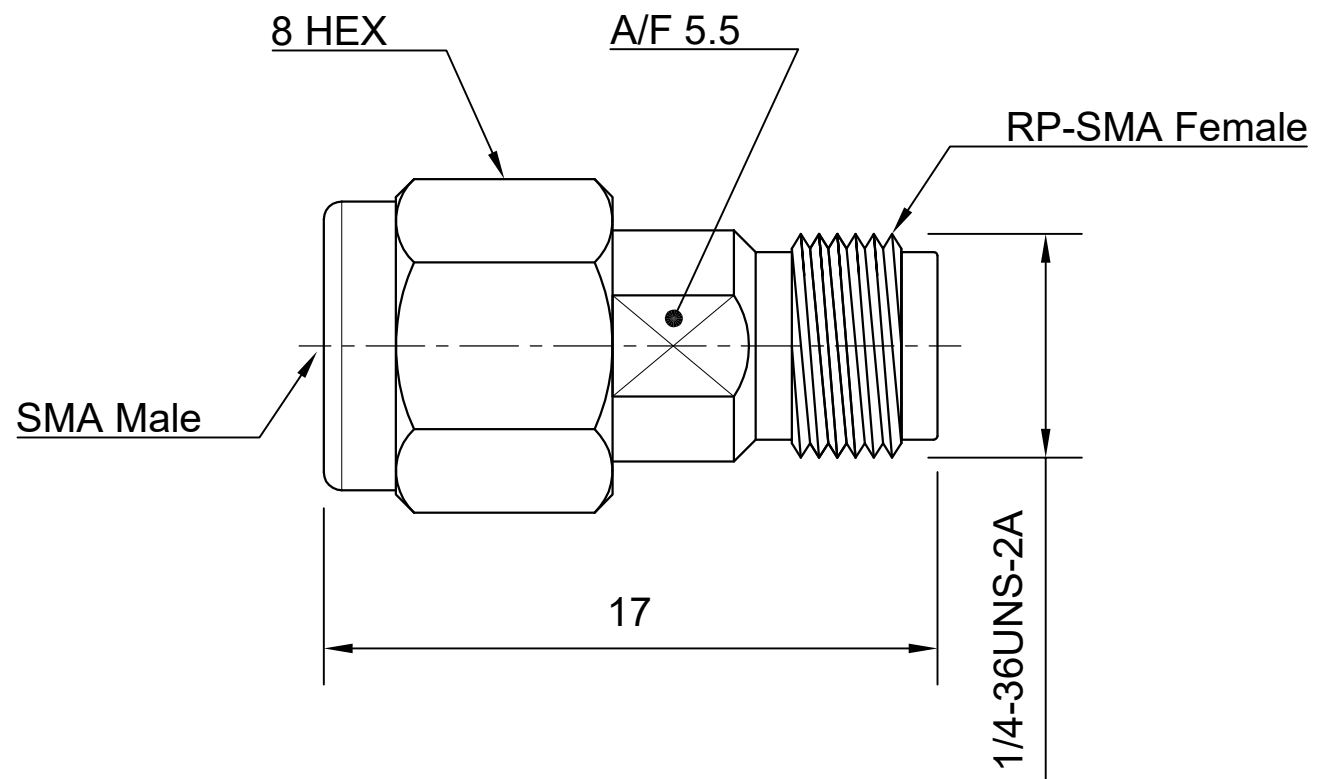



RevNo	Revision note	Date	Signature	Checked



TECHNICAL DATA

Type	Adapter
Orientation	Straight
Impedance (Ohms)	50
Adapter Side 1	SMA
Side 1 Gender	Plug
Adapter Side 2	RP-SMA
Side 2 Gender	Jack
Body Finish	Gold
Body Material	Brass
Contact Finish	Gold
Contact Material	Beryllium Copper
Insulator Material	PTFE
Max. Frequency (GHz)	18
Mounting Feature	--
Min. Temp. (Celsius)	-65
Max. Temp. (Celsius)	165
Weight (Grams)	3.4

	SHEET	1 of 1	SCALE	NTS
	RF ADAPTER			
DRAWN	VINAY	22.10.2018	SMA Male to RP-SMA Female	
CHECK			STRAIGHT TYPE	
APPR.	VINAY	22.10.2018	DWG NO	
ISSUED			VSW-AD-171231RP-S	
REV	R0			

FILE PATH: D:\VINSUR\DRAWINGS -- VINSUR\ADAPTERS\SMA - SMA

FILE NAME: ADAPTER - RP SMA Female to SMA Male - VSW-AD-171231RP-S.dwg

SIZE